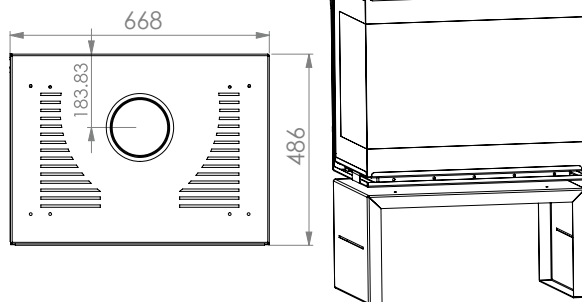
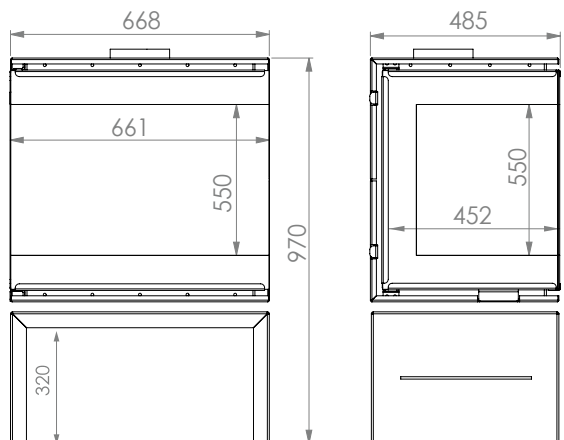


TECHNICAL DRAWING



TECHNICAL SPECIFICATION

WEIGHT	116 KG
POWER	7-11 KW
EFFICENCY	>75 %
CONSUME	2 - 3.5 kg/h
FLUE GAS TEMPERATURE	222 °C
PIPE DIAMETER	Ø 180 mm
CO	< 1250 mg/m ³
WARRANTY	5 years

DIMENSIONS

Height	970 mm
Depth	485 mm
Width	661 mm