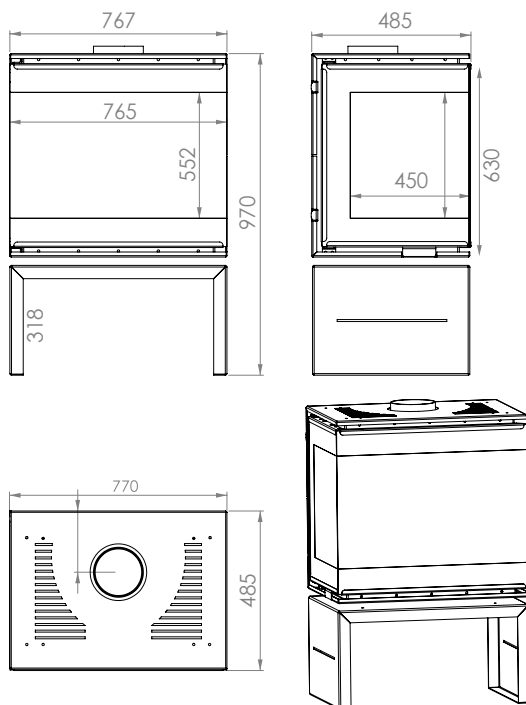


TECHNICAL DRAWING



TECHNICAL SPECIFICATION

WEIGHT	136 KG
POWER	8-12 KW
EFFICIENCY	>75 %
CONSUME	2 - 3.5 kg/h
FLUE GAS TEMPERATURE	222° C
PIPE DIAMETER	Ø 180 mm
CO	< 1250 mg/m ³
WARRANTY	5 years

DIMENSIONS

Height	970 mm
Depth	485 mm
Width	767 mm